

NanoSpeed™ Dual-Stage 1x1 Series Fiber Optical Switch

(SM, PM, High Power, Bidirectional)



DATASHEET

[Return to the Webpage](#)



Features

- Solid-State
- High on-off ratio
- High speed
- Ultra-high reliability
- Low insertion loss
- Compact

Applications

- Optical blocking
- Configurable operation
- Instrumentation

The NS Series dual-stage 1x1 solid-state fiber optic switch connects optical channels by redirecting an incoming optical signal into a selected output optical fiber. This is achieved using patent-pending non-mechanical configurations with solid-state all-crystal designs, eliminating the need for mechanical movement and organic materials. The dual-stage series of NS fiber-optic switches is designed to meet the demand of high cross-talk in addition to ultra-high reliability, fast response time, and continuous switching operation. The switch is intrinsically bidirectional and selectable for polarization-independent or polarization-maintain by the fiber type.

Agiltron's PCB driver listed on the web is recommended to operate this device, featuring high efficiency and low cost with 12V DC power and TTL control signal.

The rise/fall time is intrinsically related to the crystal properties, and the repetition rate is associated with the driver. There are poor frequency response sections due to the device resonances. The NS devices are shipped mounted on a tuned driver.

The NS series switches respond to a control signal with any arbitrary timing with frequency from DC up to MHz. The switch is usually mounted on a tuned driver before shipping. The electrical power consumption is related to the repetition rate at which the switch is operated.

The dual-stage configuration increases the extinction ratio or cross-talk value.

Specifications

Parameter		Min	Typical	Max	Unit
Central Wavelength ^[1]		960		1650	nm
Insertion Loss ^[2]	1260~1650nm		1.0	1.4	dB
	960~1100nm		1.2	1.6	dB
On-Off Ratio ^[3]		30	35	45	dB
Durability		10 ¹⁴			cycles
PDL (SMF Switch only)			0.2	0.35	dB
PMD (SMF Switch only)			0.1	0.3	ps
ER (PMF Switch only)		18	25		dB
IL Temperature Dependency			0.25	0.5	dB
Return Loss		45	50	60	dB
Response Time (Rise, Fall)		50		300	ns
Fiber Type		SMF-28, Panda PM, or equivalent			
Driver Repeat Rate	60kHz driver	DC	60		kHz
	300kHz driver	DC	300		kHz
Optical Power Handling ^[4]	Normal power switches		0.3	0.5	W
	High power switches		2	20	W
Operating Temperature		-5		70	°C
Storage Temperature		-40		85	°C

Notes:

- [1] Operation bandwidth is $\pm 25\text{nm}$ approximately at 1550nm. **The wavelength shorter than 960nm can be implemented in the special version, please check our premium (NP) or Ultra-fast (NF) series.**
- [2] Measured without connectors. Wavelength with red color can be implemented in the special version.
- [3] $\pm 25\text{nm}$, Measured at 10kHz repeat rate. For the higher repeat rate, the on-off ratio may be degraded.
- [4] Defined at 1310nm/1550nm. For the shorter wavelength, the handling power may be reduced, please contact us for more information.

Note: The specifications provided are for general applications with a cost-effective approach. If you need to narrow or expand the tolerance, coverage, limit, or qualifications, please [\[click this link\]](#):

Warning: This is an OEM module designed for system integration. Do not touch the PCB by hand. The electrical static can kill the chips even without a power plug-in. Unpleasant electrical shock may also be felt. For laboratory use, please buy a Turnkey system.

Legal notices: All product information is believed to be accurate and is subject to change without notice. Information contained herein shall legally bind Agiltron only if it is specifically incorporated into the terms and conditions of a sales agreement. Some specific combinations of options may not be available. The user assumes all risks and liability whatsoever in connection with the use of a product or its application.

Rev 10/10/24

© Photonwares Corporation

P +1 781-935-1200

E sales@photonwares.com

W www.agiltron.com

Information contained herein is deemed to be reliable and accurate as of the issue date. Photonwares reserves the right to change the design or specifications at any time without notice. Agiltron is a registered trademark of Photonwares Corporation in the U.S. and other countries.

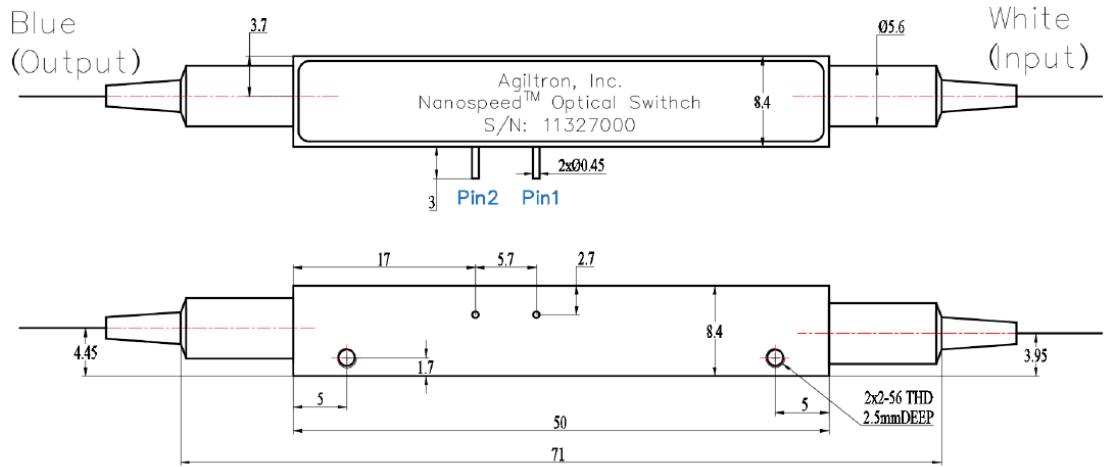
NanoSpeed™ Dual-Stage 1x1 Series Fiber Optical Switch



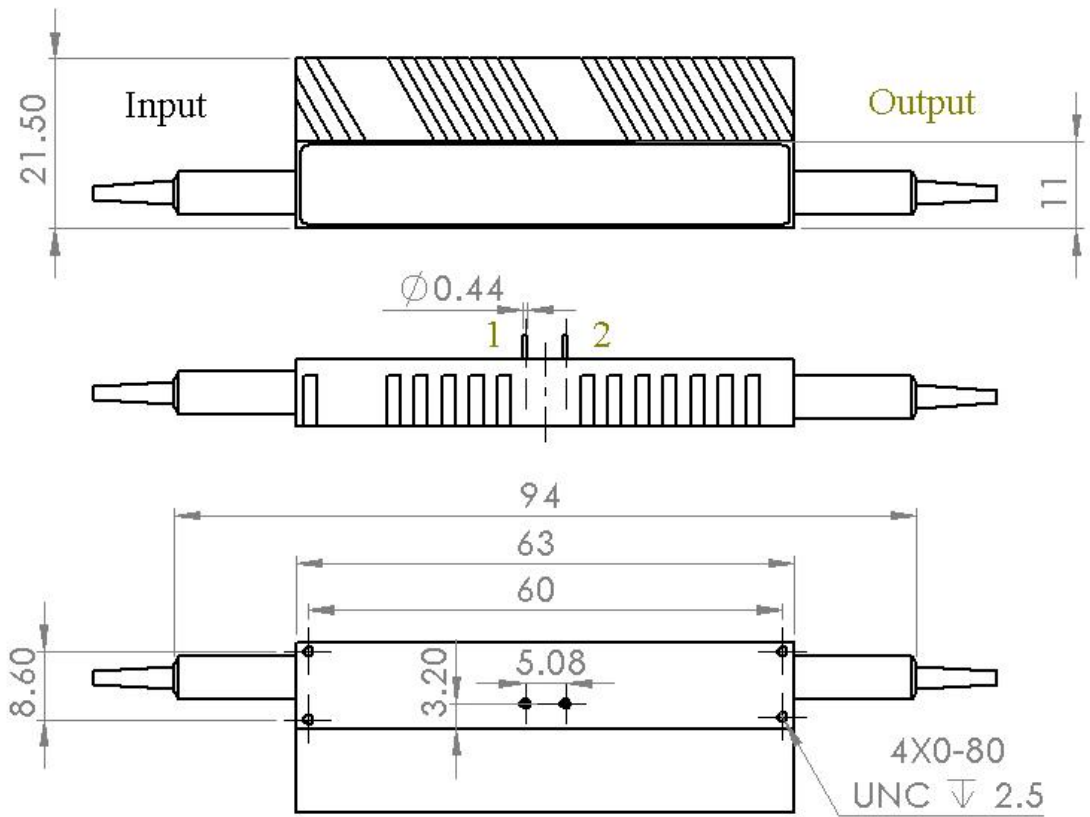
(SM, PM, High Power, Bidirectional)

DATASHEET

Mechanical Dimensions (mm)



Regular power $\leq 0.5W$



High power (1W ~2W) package

*Product dimensions may change without notice. This is sometimes required for non-standard specifications.

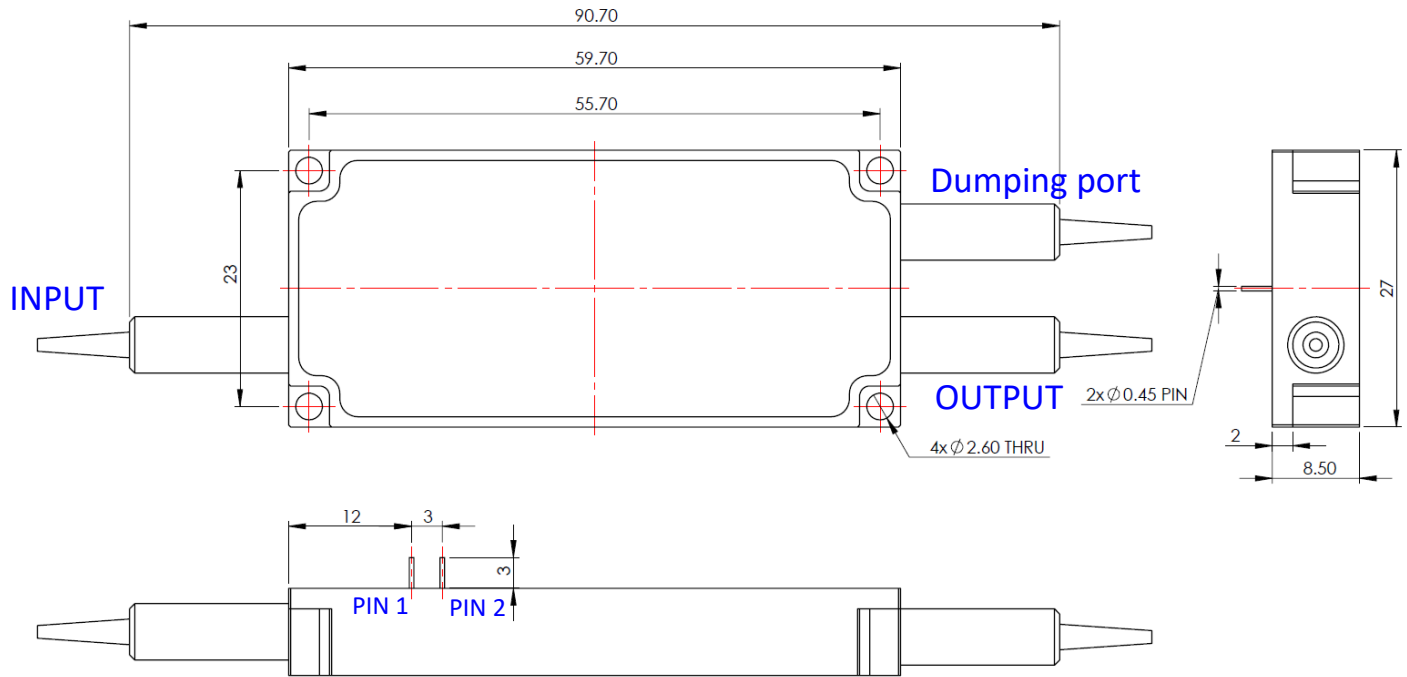
NanoSpeed™ Dual-Stage 1x1 Series Fiber Optical Switch



(SM, PM, High Power, Bidirectional)

DATASHEET

Mechanical Dimensions (mm)



High power (5W ~10W) package

Optical Path Driving Table

Optical Path	TTL with Driver	Direct Driving	
ON for normal-open or OFF for normal-dark	L (< 0.8V)	0V on PIN 1	0V on PIN 2
OFF for normal-open or ON for normal-dark	H (> 3.5V)	HV on PIN 1	
HV: 360 ~420V			

Driving Board Selection

Maximum Repetition Rate	Part Number (P/N)
60 kHz	NSSW100ns100kHzD
300 kHz	NSSW100ns300kHzD

* Note: For customers that prefer to design their own driving circuit, they are responsible for the optical performance. For more technical information, please contact us.

*Product dimensions may change without notice. This is sometimes required for non-standard specifications.

NanoSpeed™ Dual-Stage 1x1 Series Fiber Optical Switch



(SM, PM, High Power, Bidirectional)

DATASHEET

Mechanical Dimensions (mm)

TBD

High power (>10W) package

Mechanical Dimensions, mounting on 100kHz driver (mm)

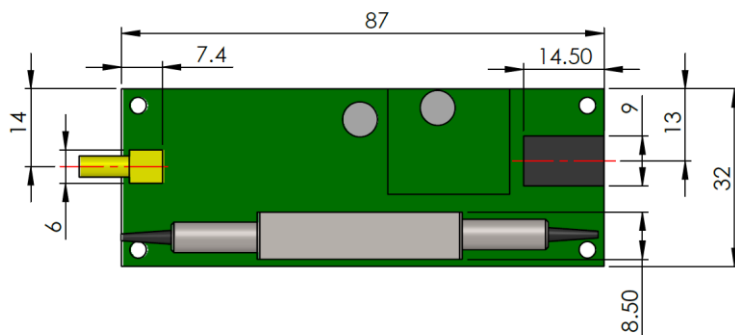
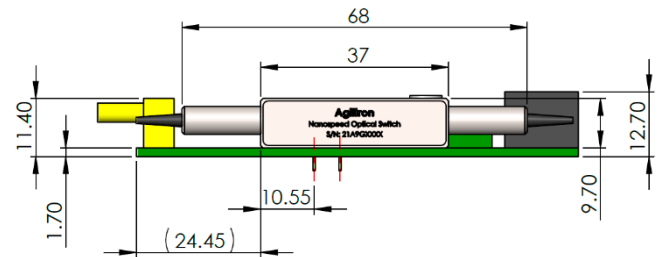
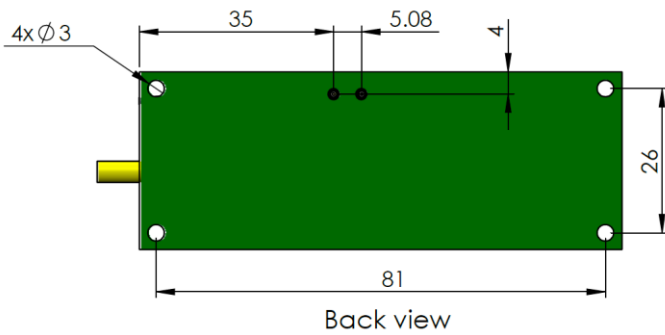


Illustration only for regular power

*Product dimensions may change without notice. This is sometimes required for non-standard specifications.

NanoSpeed™ Dual-Stage 1x1 Series Fiber Optical Switch



(SM, PM, High Power, Bidirectional)

DATASHEET

Ordering Information

Prefix	Type	Wavelength ^[4]	Configuration	Optical Power ^[7]	Fiber Type	Fiber Cover	Fiber Length	Connector ^[5]	Benchtop
NSSW - ^[1]	Transparent = 1T	1060nm = 1	Dual Stage = 2	Regular (≤ 0.5W) = 1	SMF-28 = 1	Bare Fiber = 1	0.25m = 1	None = 1	None = 1
NHSW - ^[2]	Opaque = 1O	2000nm = 2		1W = A	HI1060 = 2	900um Tube = 3	0.5m = 2	FC/PC = 2	Benchtop = B
NHHW - ^[3]	Transparent with Enclosure ^[6] = 1E Opaque with Enclosure ^[6] = 1F	1310nm = 3 1410nm = 4 1550nm = 5 1625nm = 6 980nm = 9		2W = B 5W = C 10W = D 20W = E	PM1550 = 5 PM980 = 9 Special = 0	Special = 0	1.0 m = 3 Special = 0	FC/APC = 3 SC/PC = 4 SC/APC = 5 ST/PC = 6 LC/PC = 7 Duplex LC = 8 LC/APC = 9 E2000 APC = A LC/UFC = U Special = 0	

[1]. **NSSW** – Normal power (≤0.5W) version

[2]. **NHSW** – 2W version

[3]. **NHHW** – ≥5W version

[4]. The version with **red color** can be implemented in the special version, may take a long lead-time.

[5]. Please contact for high power connectors.

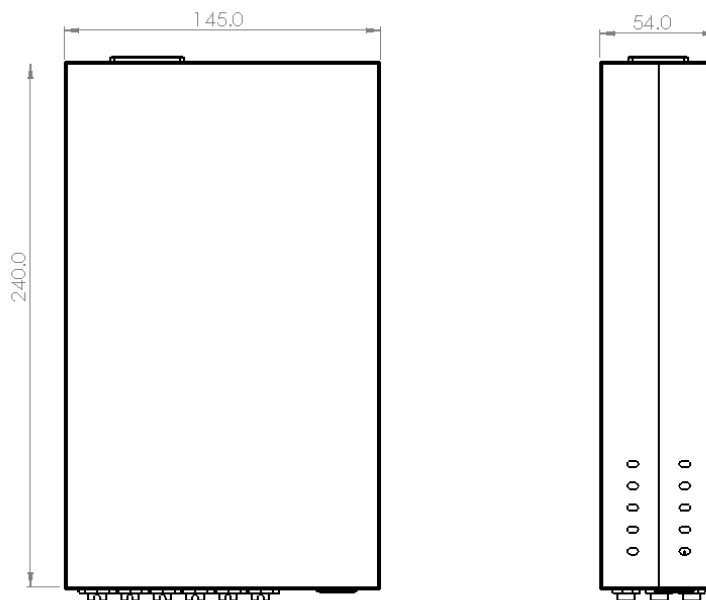
[6]. The Metal Enclosure protects the device against PCB damage and fiber breakage making it an instrument grade.

[7]. **High power ≥10W of 1x1 switch will be customized in the special package, please contact us.**

Note:

- PM1550** fiber works well for **1310nm**
- Opaque** – light is blocked without applying a voltage
- Transparent** – light goes through without applying a voltage

Benchtop Box Mechanical Dimension



*Product dimensions may change without notice. This is sometimes required for non-standard specifications.

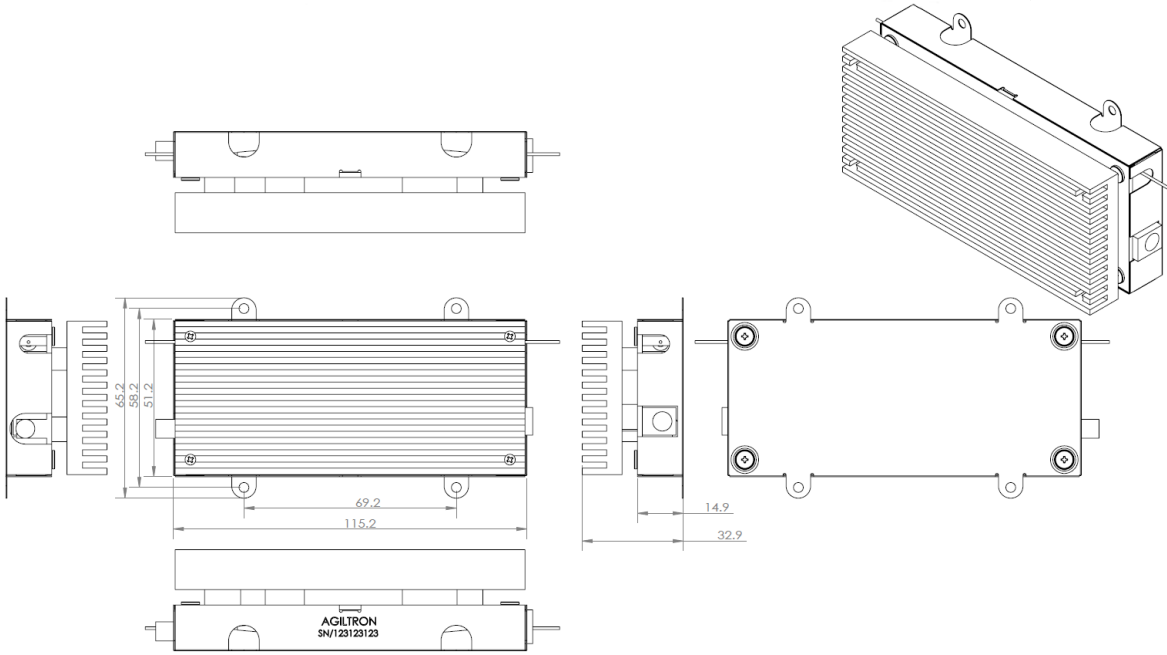
NanoSpeed™ Dual-Stage 1x1 Series Fiber Optical Switch



(SM, PM, High Power, Bidirectional)

DATASHEET

300kHz Driver Mechanical Drawing (mm)



NanoSpeed™ Dual-Stage 1x1 Series Fiber Optical Switch



(SM, PM, High Power, Bidirectional)

DATASHEET

Application Notes

Fiber Core Alignment

Note that the minimum attenuation for these devices depends on excellent core-to-core alignment when the connectors are mated. This is crucial for shorter wavelengths with smaller fiber core diameters that can increase the loss of many decibels above the specification if they are not perfectly aligned. Different vendors' connectors may not mate well with each other, especially for angled APC.

Fiber Cleanliness

Fibers with smaller core diameters (<5 μm) must be kept extremely clean, contamination at fiber-fiber interfaces, combined with the high optical power density, can lead to significant optical damage. This type of damage usually requires re-polishing or replacement of the connector.

Maximum Optical Input Power

Due to their small fiber core diameters for short wavelength and high photon energies, the damage thresholds for device is substantially reduced than the common 1550nm fiber. To avoid damage to the exposed fiber end faces and internal components, the optical input power should never exceed 20 mW for wavelengths shorter 650nm. We produce a special version to increase the how handling by expanding the core side at the fiber ends.

Q&A (Conti)

Q: How does the device work?

A: NS devices are not based on Mach-Zander Interference, rather birefringence crystal's nature beam displacement, in which the crystal creates two different paths for beams with different polarization orientations.

Q: What is the limitation for faster operation?

A: NS devices have been tested to have an optical response of about 300 ps. However, practical implementation limits the response speeds. It is possible to achieve a much faster response when operated at partial extinction value. We also offer resonance devices over 20MHz with low electrical power consumption.

Operation Manual

1. Connect a control signal to the SMA connector on the PCB.
2. Attach the accompanied power supply (typically a wall-pluggable unit).
3. The device should then function properly.

Note: Do not alter device factory settings.